

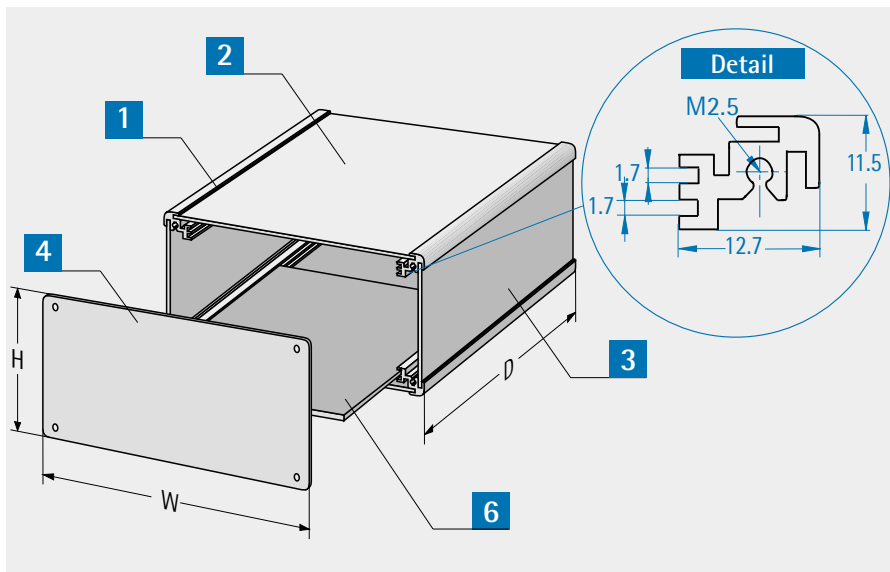


414 • Small frame case



This simply constructed case consists of 4 aluminium edge pieces, 4 facing panels and 2 top panels. The aluminium extrusions have grooves for holding 2 Europe cards.

The front/rear panels can be pre-punched for plug or cable entry depending on your specifications.



Small frame case

- cost-effective
- variable width/height/depth

Application:

for 2 lab cards or customized electronic components

Finish:

Front/rear panel and sections:
anodized aluminium
Cover panels
RAL 7035 light grey

Degree of protection:

IP 40

Delivery:

not assembled

Included in delivery

Item	Pc.	Description
1	4	Extrusions
2	2	Cover panel 1
3	2	Cover panel 2
4	2	Front/rear panels
5		Assembly material

Note:

Order chassis panel separately.

Order information for case and chassis panel

Dimensions		Case		Chassis panel 6	
W mm	H mm	D = 166.6mm effective installation dim. w x d = 197.8 x 162.6mm	D = 226.6mm effective installation dim. w x d = 197.8 x 222.6mm	For cases D = 166.6mm	For cases D = 226.6mm
220	44	414-101	414-111	414-151	414-161
220	88	414-103	414-113	414-151	414-161

Order information for case and chassis panel, fits 100mm x 160mm and 100mm x 220mm Europe cards

Dimensions		Case		Chassis panel 6	
W mm	H mm	D = 166.6mm for 100 x 160 cards	D = 226.6mm for 100 x 220 cards	For cases D = 166.6mm	For cases D = 226.6mm
122.2	44	414-105	414-115	414-153	414-163
122.2	88	414-106	414-116		